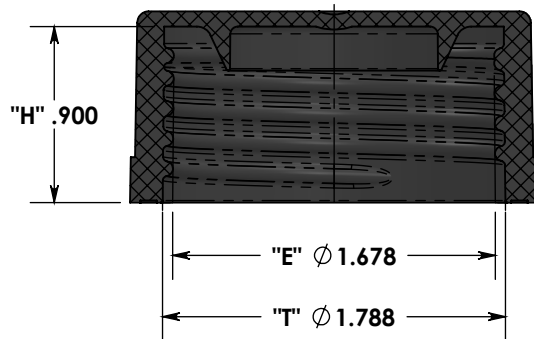
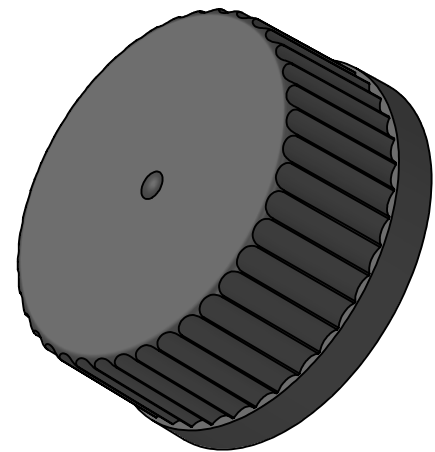



**OUTSIDE SURFACES SPI "A-3" OR BETTER  
INSIDE SURFACES SPI "B-3" OR BETTER.**



**SECTION F-F**

**THREAD DATA:  
GL-45 x 4 FINISH  
.157 PITCH (4mm)  
4 TURNS OF THD.**

**ADVERTISING DRAWING  
NOT FOR QUALITY CONTROL**

PROPRIETARY AND CONFIDENTIAL <small>THE INFORMATION CONTAINED IN THIS DRAWING IS THE SOLE PROPERTY OF COMET TOOL Co. ANY REPRODUCTION IN PART OR AS A WHOLE WITHOUT THE WRITTEN PERMISSION OF COMET TOOL Co. IS PROHIBITED.</small>		 <b>COMET TOOL COMPANY</b> 651 LAMBS RD. PITMAN, N.J 08071-2042	
MATERIAL <b>POLYPROPYLENE</b>		<b>GL-45 CLOSURE WITH PLUG SEAL</b>	
DRAWN BY <b>JJM</b>	PLASTIC PART NO. <b>1340-0010</b>	PLASTIC PART REV. <b>A</b>	DWG. NO. <b>1340-0010-EXP</b>
		SIZE <b>A</b>	REV <b>A</b>
		DATE <b>11/18/10</b>	
		SCALE: 1:1	
		SHEET 2 OF 2	